

INSTALLATION AND SETUP GUIDE

GENERAL INFORMATION

The **VistaKey** is a single-door access control module that, when connected to a Fire/Burglary Alarm System, provides access control to the protected premises. **The VistaKey Module, when obtained separately, must be mounted in the VistaKey-SK (Starter Kit) as an add-on unit to provide access control to more than one point.**

The UL Listed **VistaKey-SK** contains all of the components necessary for a minimum access point configuration installation (with exception of mag locks or door strikes).



The VistaKey module contains three zones. These zones should be ONLY used for access control functions in UL installations. THESE INPUT ZONES ARE NOT TO BE USED FOR FIRE AND BURGLARY APPLICATIONS.



Do **not** use the VistaKey on an alarm panel that is connected to a PassPoint Access Control System via a VISTA Gateway Module.

VISTAKEY FEATURES

VistaKey features are as follows:

- Each VistaKey communicates with the alarm system control via a special global polling protocol of the Vplex polling loop.
- In the event local power to the VistaKey is lost, the VistaKey module provides backup monitoring of the access point door via a built-in Vplex device that is powered solely from the polling loop. A serial number label is affixed to the VistaKey module for manual entry of its serial number.
- All configurable options for each VistaKey are accomplished via software, firmware, and nonvolatile memory, eliminating the need for PC board jumpers.
- Access point zone numbers (1-15) are assigned via a user-friendly, 16-position rotary switch.
- Diagnostic LEDs (2) on board for relay activity and microprocessor working condition.

COMPATIBLE FIRE/BURGLARY ALARM SYSTEMS

Refer to your VistaKey-SK manual for compatible alarm systems that the VistaKey can interface with.

MOUNTING THE VISTAKEY

This section provides brief instructions for the initial installation of the VistaKey module. If you require more detailed installation information, please refer to the procedures in section 3 of the UL Listed VistaKey-SK (Starter Kit) manual.

Mounting and Connecting

1. Remove the front cover from the VistaKey.

2. The VistaKey uses plug-in terminal blocks for TB-1 and TB3. Keeping the terminal block screws toward the outside edge of the VistaKey printed circuit board, slide the terminal blocks onto the pins extending from the board.
3. When adding a VistaKey module in the VistaKey-SK, install the unit on the mounting plate as indicated in the manual.
4. If applicable, mount the Door Status Monitor (DSM) and/or Request to Exit (RTE) devices.
5. Using Figure 1 at the end of this section as a reference, connect the card reader interface cable to TB3, *making the +5v or +12v connection last.*
6. Connect the leads to VistaKey TB1 in the following order:
 - a. All ground leads to terminals 2, 5, and 9).
 - b. The (optional) DSM, RTE, and General Purpose leads to terminals 6, 7, and 8, respectively.
 - c. Door strike (or mag lock) lead to the relay Pole terminal 10.
 - d. Local +12v supply lead to terminal 1 from the power supply terminal 7.
 - e. Local supply lead to the N/C relay terminal 11 (if a mag lock is being used), **OR** to the N/O relay terminal 12 (if a door strike is being used).
7. Connect the – polling loop and + polling loop leads (from the alarm control panel) to terminals 4 and 3, respectively.
8. Set the Address Select switch to the desired access door number (1-15).
9. Repeat steps 2 through 8 for each VistaKey being installed in your VistaKey-SK.

For complete system installation instructions, consult your VistaKey-SK manual.

CONNECTING THE CARD READER

Lead from Reader	Lead Color	To VistaKey TB3 Terminal #
Green LED	Orange	1
Ground*	Black	2
DATA 1 (Clock)	White	3
DATA 0 (Data)	Green	4
+5VDC†	Red†	6
+12VDC†	Red†	7

* TB-3 Terminal 5 is also a ground and may be used instead of terminal 2. Terminals 2 and 5 are a common ground.

† Connect to +5VDC OR +12VDC per reader manufacturer's specification.

CONNECTING VISTAKEY TRIGGER

The VistaKey has one trigger output (TB3 terminal 8) that can accept a maximum current of 15mA from a source voltage of 12VDC. It is a solid-state digital switch output that may be used to operate small loads such as LEDs and piezoelectric sounders. It can be configured as an output committed to the access point or as an uncommitted output for general use to control the on and off conditions of external devices.

VISTAKEY PROGRAMMING AND TESTING

For detailed programming and testing information, please refer to the procedures in the UL Listed VistaKey-SK (Starter Kit) manual.

WARRANTY INFORMATION

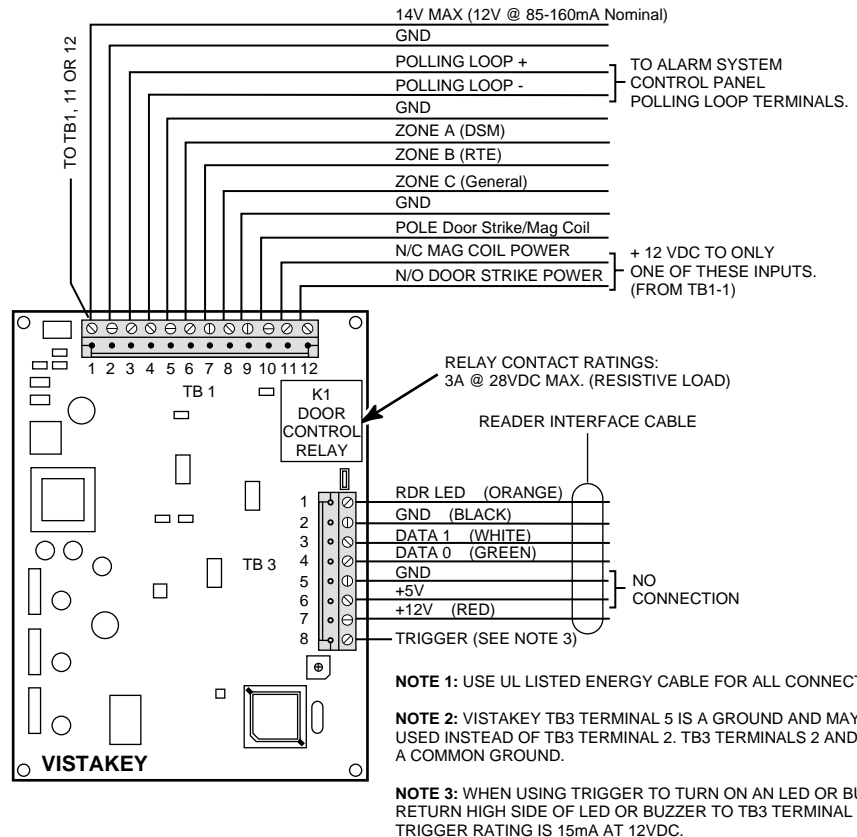
Refer to the manual supplied with your alarm system for warranty information.

THIS DEVICE COMPLIES WITH PART 15 CLASS A LIMITS OF FCC RULES. OPERATION IS SUBJECT TO THE FOLLOWING TWO CONDITIONS:
 (1) IT MAY NOT CAUSE HARMFUL INTERFERENCE.
 (2) IT MUST ACCEPT ANY INTERFERENCE THAT MAY CAUSE UNDESIRE OPERATION.

THIS EQUIPMENT SHOULD BE INSTALLED IN ACCORDANCE WITH THE NATIONAL FIRE PROTECTION ASSOCIATION'S STANDARDS 70 & 74 (NATIONAL FIRE PROTECTION ASSOC., BATTERY MARCH PARK, QUINCY, MA. 02269). PRINTED INFORMATION DESCRIBING PROPER MAINTENANCE, EVACUATION PLANNING AND REPAIR SERVICE IS TO BE PROVIDED WITH THIS EQUIPMENT.

FOR ADDITIONAL RATINGS AND SPECIFICATIONS, REFER TO INSTALLATION INSTRUCTION FOR THE VISTAKEY-SK.

WEEKLY TESTING IS REQUIRED TO ENSURE PROPER OPERATION OF THIS SYSTEM.



VistaKey Summary of Connections

ADEMCO GROUP

165 Eileen Way, Syosset, New York 11791
 Copyright © 2000 PITTWAY CORPORATION

